



SPECIFICATIONS

KBA600

DESCRIPTION

600 CFM HEPA Filtered | Negative Air Machine

AIR PURIFICATION

ULPA/HEPA Filter 99.97% @ > .3 Microns

FAN DATA

Fan Type (Centrifugal)	Direct Drive
Air Flow (CFM)	600/450 - 2 Speed
Top Discharge Stainless Flange	8 In. / Optional 12 In.
Optional CK-12S-SS Ceiling Kit	Optional 12" Dia. Ceiling Kit

ELECTRICAL DATA

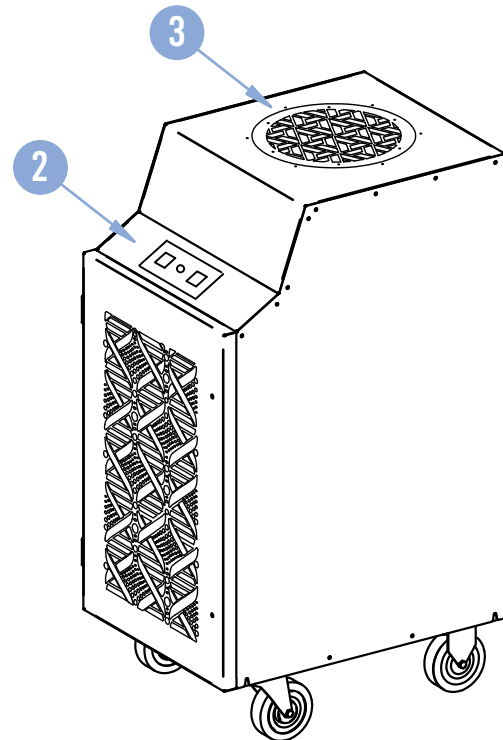
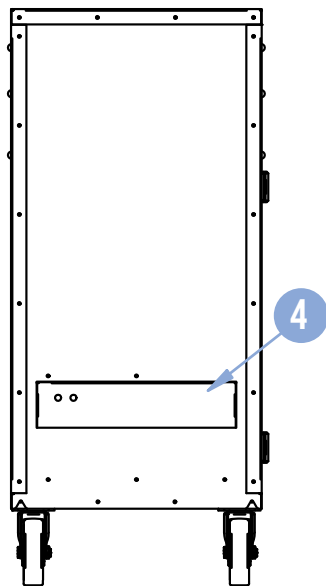
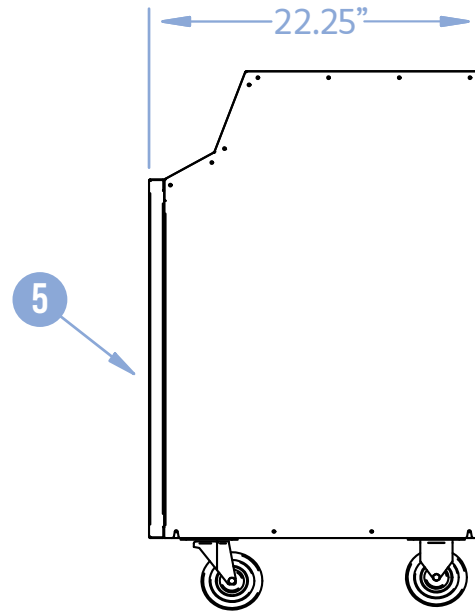
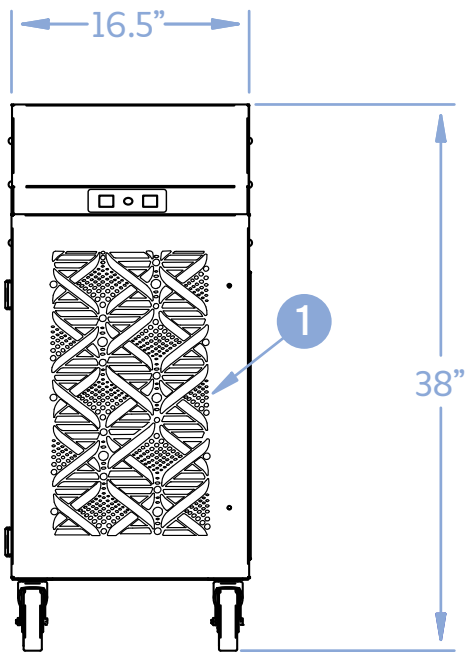
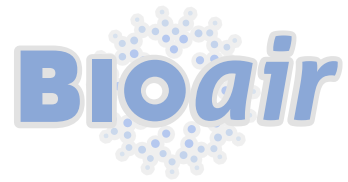
Power Supply	115 V / Single Phase
Current Consumption	4.3 Amps
Power Consumption	0.5 kW
Maximum Circuit Breaker	20 Amps
Recommended Breaker Size	15
Minimum Circuit Ampacity	7.7 Amps
Min/Max Voltage	105 - 125
Power Cord Gauge / Length in Feet	14 AWG / 6'
Plug Configuration	NEMA 5 - 15

DIMENSIONAL DATA

Width x Length x Height	16.5" x 22.25" x 38"
Weight	80 Lbs
Shipping Weight	115 Lbs
Ceiling Kit - CK - 12SS	12 Lbs
Total Shipping Weight w/ Ceiling Kit	127 Lbs

SAFETY DEVICE DATA

Fan Motor Overload	Automatic Internal
Automatic Restart	Yes



KBA600

LEGEND

- 1. Room Air Return
- 2. Control Panel
- 3. Filtered Negative Air Supply
- 4. Cord Storage
- 5. Filter Access Door



ETL LISTED CONFORMS TO ANSI/UL1995
CERTIFIED TO CAN/CSA 22.2 NO 235